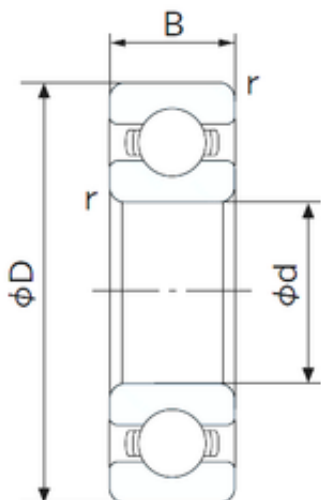




NTN BEARING USA CORP.



Favorites Sharenachi 6304 Ball Bearing 6300, 6301, 6302, 6303, 6305, 6306, 6307, 6308, 6309, 6310 2nes, Zz, C3

Bearing No. 6304

6304 Bearing 2D drawings and 3D CAD models

Size	20x52x15 mm
Bore Diameter	20 mm
Outer Diameter	52 mm
Width	15 mm
d	20 mm
D	52 mm
B	15 mm
C	15 mm
r min.	1.1 mm
da min.	27 mm
Da max.	45 mm
ra max.	1.1 mm
Weight	0.144 Kg
Basic dynamic load rating (C)	15,9 kN
Basic static load rating (C0)	7,9 kN
(Grease) Lubrication Speed	13000 r/min
Category	Single Row Ball Bearings
Inventory	0.0
Manufacturer Name	NACHI
Minimum Buy Quantity	N/A
Weight / Kilogram	0
Product Group	B00308
Enclosure	Open
Precision Class	ABEC 1 ISO P0



NTN BEARING USA CORP.

Maximum Capacity / Filling Slot	No
Rolling Element	Ball Bearing
Snap Ring	No
Internal Special Features	No
Cage Material	Steel
Internal Clearance	C0-Medium
Inch - Metric	Metric
Long Description	20MM Bore; 52MM Outside Diameter; 15MM Outer Race Width; Open; Ball Bearing; ABEC 1 ISO P0; No Filling Slot; No Snap Ring; No Internal Special Features; C0-Medium Internal Clearance; Steel Cage
Other Features	Deep Groove
Category	Single Row Ball Bearing
UNSPSC	31171504
Harmonized Tariff Code	8482.10.50.68
Noun	Bearing
Keyword String	Ball
Manufacturer URL	http://www.nachiamerica.com
Weight / LBS	0.32
Inner Race Width	0 Inch 0 Millimeter
Outside Diameter	2.047 Inch 52 Millimeter
Outer Race Width	0.591 Inch 15 Millimeter
Bore	0.787 Inch 20 Millimeter
Bore Type	Cylindrical Bore
Configuration	Single Row
Bore Size	20 mm
Width	15 mm
Fillet Radius/Chamfer	1.1 mm



NTN BEARING USA CORP.

Dynamic Load Rating	15,900 N
Static Load Rating	7,900 N
Limiting Speed - Grease	14,000 rpm
Limiting Speed - Oil	17,000 rpm
Factor f_0	12.4
Radial Clearance	0.005 to 0.020 mm
da (min)	27 mm
Da (max)	45 mm
ra (max)	1.1 mm